

## CODE 50037, 50038, 50039

ASSEMBLY PAGE NAME			Machine Assembly	Wire Drive Assembly
CODE NO.:	K NO.:	FIGURE NO.:	A	B
50037	K14002-1	LINC 405-SA	1	1
50038	K14002-2	LINC-405 S	2	2
50024	K14002-3	LINC-405 S	3	3

Figure A: Machine assembly						
Item	Description	Part Number	QTY	1	2	3
1	TRANSFORMER T1	B-4247-453-2R	1	X	X	X
2	CHOKE L1	C-4244-373-2R	1	X	X	X
3	RECTIFIER SET V	R-8040-233-2R	1	X	X	X
4	FAN M1	1111-311-084R	1	X	X	X
7	CONTROL CIRCUIT BOARD USM-12	0918-432-088R	1	X	X	X
8	DIGITAL AMMETER WA/H-400	0918-432-063R	1	X	-	-
9	MAIN SWITCH K1	1115-260-113R	1	X	X	X
10	LAMP H1	0917-421-002R	1	X	X	X
11	LAMP H2	0917-421-024R	1	X	X	X
12	SWITCH K2	1158-650-023R	1	X	X	X
13	SOCKET X3	1158-641-008R	1	X	X	X
14	SOCKETS X1, X2	C-2986-001-3R	2	X	X	X
15	FUSE F1	1158-660-028R	1	X	X	X
16	POTENTIOMETER R1,R2,R3	1158-113-304R	3	X	-	-
16	POTENTIOMETER R1	1158-113-304R	1	-	X	X
17	KNOB	9ET10491R	1	X	X	X
18	KNOBS	9ET13639-3R	2	X	-	-
19	WHEEL	1029-660-250R	2	X	X	-
20	REAR PANEL	C-3721-788-1/08R	1	X	X	X
21	FRONT PANEL	C-3721-789-1/08R	1	X	X	X
22	LEFT SIDE PANEL	C-3721-801-1R	1	X	X	X
23	RIGHT SIDE PANEL	C-3721-801-2R	1	X	X	X
24	TOP PANEL	C-3773-099-1R	1	X	X	X
25	FRONT PANEL	C-3721-795-1/08R	1	X	-	-
26	FRONT PANEL	C-3721-795-2/08R	1	-	X	X
27	LABEL	2719-107-821R	1	X	-	-
28	LABEL	2719-107-820R	1	-	X	X

Miscellaneous items (not showed in figure A)						
Item	Description	Part Number	QTY	1	2	3
	CAPACITOR C4	1158-121-000R	1	X	X	X
	CAPACITORS C1,C2,C3	1158-125-373R	3	X	X	X
	MAINS CABLE WITHOUT PLUG 5m	D-5578-168-1R	1	X	X	X

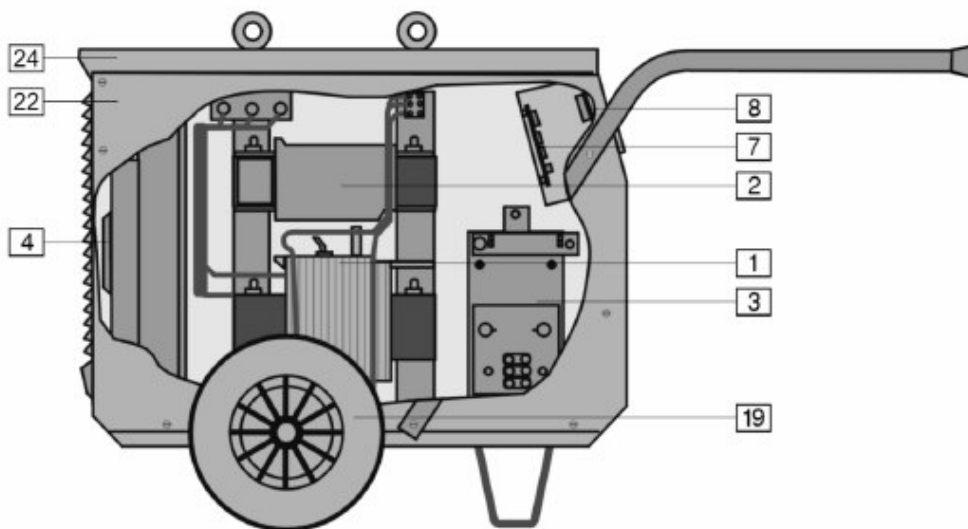
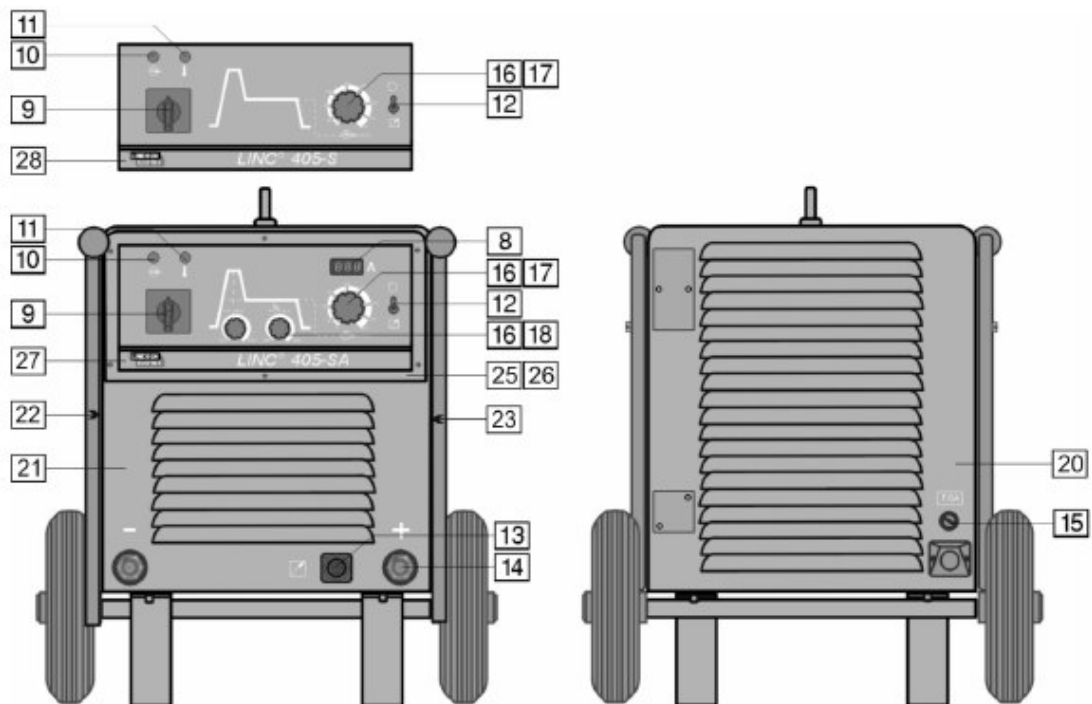


Figure A